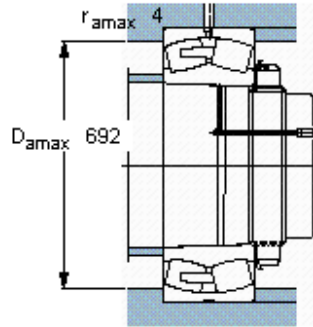
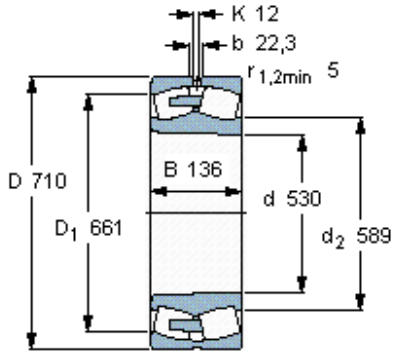


Spherical roller bearings, cylindrical and tapered bore

Principal dimensions			Basic load ratings		Speed ratings	Limiting speed	Designation
d	D	B	dynamic C	static C0	Reference speed		* SKF Explorer bearing
mm			kN		r/min		-
530	710	136	3308	6700	500	900	239/530 CAK/W33 *



Tapered bore, taper
1: 12

Calculation factors

- e 0,17
- Y_1 4
- Y_2 5,9
- Y_0 4